

AKK SERIES  
HIGH VOLTAGE THREE-PHASE  
ASYNCHRONOUS MOTORS  
(3KV,6kV,10kV/3.3kV,6.6kV,11kV)

## General Description



AKK series high voltage 3-phase asynchronous motors(Frame No. 355~1000mm) are up-to-date products designed by our company, which is the replacement of the JS series 3-phase asynchronous motors.

This series motors is designed with the optimized design technique of computer. With the material chosen exquisitely and products excellent technique, such motors are engineered with many remarkable features such as high efficiency, low noise, small vibration, Light weight. Reliable performance, easy mounting and maintenance etc.

This series motors can meet the requirements for all kinds of working conditions and are with protection degree: IP23, IP44 or IP54. The winding of motor will be provided with F insulation and moisture proof performance after it is treated with vacuum pressure impregnation.

This series motors comply with China National standard GB755<Rotating electrical machine-Rating and performance> and tolerance meet Chinese National standard GB1800-1804 and relevant IEC standard.

This series motors can be designed as: 3kV, 6kV and 10kV (and others depend on the orders). The rated frequency is 50Hz. duty is S1.

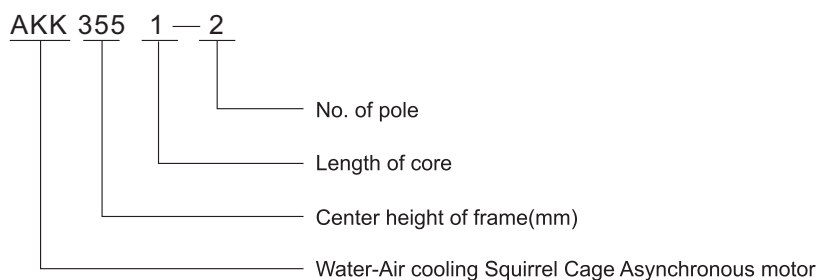
The motors in basic design are of horizontal with feet mounting type (IMB3), which is in accordance with GB997 and IEC34-7.

<<Rotating electrical machine-structure and mounting>>

## APPLICATION

The series motor are used to drive compressor, water pump, breaker, cutting machine, transport tools and other general purpose machines and suitable for colliery, mechanical industry and power plants using for energizing. Such as mill machine, leather belt machine, steel machine, winding machine etc., the detailed information requests together with agreement which is provided for special design, ensure the motor running reliably.

## Type Designation



## TECHNICAL DATA

Datasheet (6000V)

Item	Rated power (kW)	Rated Current (A)	Rated speed (r/min)	EFF (%)	PF cosΦ	Max T Rated T	locked T R	locked current rated current	moment of inertia		weight (kg)
									motorJm (kg.m <sup>2</sup> )	Load J (kg.m <sup>2</sup> )	
AKK3551-2	220	26.9	2985	92.5	0.85	1.8	0.6	7.0	2.7	22.0	2250
AKK3552-2	250	30.6		92.6					3.0	24.0	2300
AKK3553-2	280	34.2		92.8					3.4	26.0	2350
AKK3554-2	315	38.3		93.1					3.6	27.0	2400
AKK4001-2	355	42.5		93.4	0.86				5.3	30.0	2700
AKK4002-2	400	47.8		93.7					5.7	32.0	2780
AKK4003-2	450	53.6		94.0					6.5	34.0	2900
AKK4004-2	500	59.4		94.2					6.8	35.0	3000
AKK4501-2	560	66.4		94.4	0.86				9.4	40.0	4000
AKK4502-2	630	73.7		94.6	0.87				10.8	44.0	4300
AKK4503-2	710	82.9		94.7					11.8	46.0	4600
AKK4504-2	800	93.3		94.8					12.4	48.0	4900
AKK5001-2	900	104.8		95.0					17.2	73.4	5200
AKK5002-2	1000	116.3		95.1	19.1				85.0	5440	
AKK5003-2	1120	130.1		95.2	21.1				93.0	5650	
AKK5004-2	1250	145.1		95.3	23.0				101.0	5880	
AKK5601-2	1400	160.5		95.4	0.88				39.8	106.0	6800
AKK5602-2	1600	183.1		95.5					42.4	107.0	6900
AKK5603-2	1800	205.9		95.6					46.4	108.0	7160
AKK6301-2	2000	228.5		95.7					47.4	110.0	9450
AKK6302-2	2240	255.7	95.8	51.7	114.0	9850					
AKK6303-2	2500	285.1	95.9	57.1	120.0	10250					
AKK710-1-2	2800	316.0	96	0.89	60.1	280	11000				
AKK710-2-2	3150	355.0	96.1		63.1	295	12900				
AKK710-3-2	3550	399.0	96.2		70.5	310	13800				
AKK710-4-2	4000	450.0	96.3		78.3	340	14400				
AKK3551-4	185	22.6	1485	92.8	0.85	0.7	6.5	3.0	68.0	2500	
AKK3552-4	200	24.4		92.9				3.4	78.0	2550	
AKK3553-4	220	26.8		93.0				3.8	88.0	2600	
AKK3554-4	250	30.4		93.1				4.2	97.0	2650	
AKK4001-4	280	33.6		93.2	0.86			5.8	108	2740	
AKK4002-4	315	37.8		93.3				6.0	120	2800	
AKK4003-4	355	42.5		93.5				6.2	133	2870	
AKK4004-4	400	47.8		93.7				6.5	147	2990	
AKK4005-4	450	53.6		93.9	7.0			161	3060		
AKK4501-4	500	59.5		94.0	10.0			178	4400		
AKK4502-4	560	66.5		94.2	11.0			197	4560		

## TECHNICAL DATA

Datasheet (6000V)

Item	Rated power (kW)	Rated Current (A)	Rated speed (r/min)	EFF (%)	PF cosΦ	Max T Rated T	locked T R	locked current rated current	moment of inertia		weight (kg)
									motorJm (kg.m <sup>2</sup> )	Load J (kg.m <sup>2</sup> )	
AKK4503-4	630	74.7	1485	94.4	0.86	1.8	0.7	6.5	12.0	218	4720
AKK4504-4	710	84.0		94.6					13.0	241	4890
AKK5001-4	800	93.3		94.8					22.0	266	5640
AKK5002-4	900	104.9		94.9					24.0	290	5660
AKK5003-4	1000	116.4		95.0					26.0	318	5850
AKK5004-4	1120	130.3		95.1					30.0	347	6030
AKK5601-4	1250	143.6		95.2	51.0		379		7800		
AKK5602-4	1400	160.6		95.3	57.0		470		8050		
AKK5603-4	1600	183.4		95.4	60.0		460		8300		
AKK6301-4	1800	206.1		95.5	96.0		498		10400		
AKK6302-4	2000	228.8		95.6	102.0		540		10800		
AKK6303-4	2240	255.9		95.7	112.0		584		11200		
AKK7101-4	2500	291.0		96.1	247		1210		14150		
AKK7102-4	2800	326.0		96.2	264		1350		14540		
AKK7103-4	3150	362.0		96.3	281		1530		14950		
AKK7104-4	3550	408.0		96.3	316		1720		15610		
AKK8001-4	4000	459.0	96.4	344	1892	19000					
AKK8002-4	4500	516.4	96.5	370	2035	19700					
AKK8003-4	5000	566.6	96.5	396	2178	20400					
AKK4001-6	185	23.5	990	92.4	0.82	1.8	0.7	6.0	8.0	193	2610
AKK4002-6	200	25.3		92.6					8.7	210	2665
AKK4003-6	220	27.8		92.8					9.0	236	2700
AKK4004-6	250	31.5		93.0					10.0	262	2750
AKK4005-6	280	35.2		93.3					10.8	291	2895
AKK4006-6	315	39.5		93.5					11.0	324	3020
AKK4501-6	355	43.9		93.7	14.0				361	4380	
AKK4502-6	400	49.4		93.8	15.0				401	4540	
AKK4503-6	450	55.4		94.1	16.0				440	4690	
AKK4504-6	500	61.5		94.3	17.0				687	4810	
AKK5001-6	560	68.0		94.4	27.0				540	5355	
AKK5002-6	630	76.4		94.5	32.5				599	5440	
AKK5003-6	710	85.8		94.8	34.0		665	5700			
AKK5004-6	800	96.6		94.9	40.0		736	5880			
AKK5601-6	900	107.2		95.0	64.0		805	7500			
AKK5602-6	1000	119.0		95.1	70.0		886	7850			
AKK5603-6	1120	133.2		95.2	75.0		927	8100			
AKK6301-6	1250	146.8		95.3	139		1068	10750			
AKK6302-6	1400	164.2		95.4	147		1192	11150			
AKK6303-6	1600	187.5		95.5	162		1312	11500			

## TECHNICAL DATA

Datasheet (6000V)

Item	Rated power (kW)	Rated Current (A)	Rated speed (r/min)	EFF (%)	PF cosΦ	Max T Rated T	locked T R	locked current rated current	moment of inertia		weight (kg)		
									motorJm (kg.m <sup>2</sup> )	Load J (kg.m <sup>2</sup> )			
AKK7101-6	1800	213.0	990	95.8	0.85	1.8	0.5	6.5	261	2300	13560		
AKK7102-6	2000	236.0		95.9					13950				
AKK7103-6	2240	264.0		96.0					14470				
AKK7104-6	2500	295.0		96.1					15070				
AKK8001-6	2800	326.1		0.86	462				2541	19100			
AKK8002-6	3150	366.4			96.2				504	2772	19800		
AKK8003-6	3550	413.0			96.3				546	3003	20500		
AKK8004-6	4000	464.8			96.4				588	3234	21200		
AKK9001-6	4500	516.4		0.87	630				3465	22200			
AKK9002-6	5000	573.1			96.5				672	3696	22900		
AKK9003-6	5600	641.2			96.6				714	3927	23600		
AKK10001-6	6300	712.5		0.88	96.7				984	5410	25200		
AKK10002-6	7100	802.1			96.8				1054	5795	26500		
AKK4001-8	185	24.7		743	92.5				0.78	1.8	0.8	5.5	11.0
AKK4002-8	200	26.6	92.7		2840								
AKK4003-8	220	29.2	92.9		2910								
AKK4501-8	250	32.7	93.0		0.79	16.0	558	4560					
AKK4502-8	280	36.6	93.2			17.0	622	4650					
AKK4503-8	315	41.1	93.4			18.0	693	4740					
AKK4504-8	355	46.2	93.5			19.0	772	4840					
AKK5001-8	400	51.3	0.80		93.7	30.0	853	5110					
AKK5002-8	450	57.7			93.8	34.0	941	5280					
AKK5003-8	500	63.8			94.2	38.0	1044	5430					
AKK5004-8	560	71.4			94.4	42.0	1160	5660					
AKK5601-8	630	78.2	0.82		94.5	79.0	1221	7500					
AKK5602-8	710	88.1			94.6	87.0	1357	7750					
AKK5603-8	800	99.1			94.7	90.0	1505	8000					
AKK6301-8	900	108.8			0.84	94.8	129	1650	10400				
AKK6302-8	1000	120.7	94.9			137	1820	10800					
AKK6303-8	1120	135.1	95.0			151	2001	11200					
AKK6304-8	1250	150.6	95.1			160	2204	11600					
AKK7101-8	1400	169.0	95.2		0.85	0.6	6.5	281	3630				13560
AKK7102-8	1600	192.0	95.3					318	4150				14060
AKK7103-8	1800	216.0	95.4	355				4670	14700				
AKK8001-8	2000	237.1	95.5	505				2780	18600				
AKK8002-8	2240	265.3	95.6	548				3015	19300				
AKK8003-8	2500	295.8	95.7	590				3240	20100				

## TECHNICAL DATA

Datasheet (6000V)

Item	Rated power (kW)	Rated Current (A)	Rated speed (r/min)	EFF (%)	PF cosΦ	Max T Rated T	locked T R	locked current rated current	moment of inertia		weight (kg)	
									motorJm (kg.m <sup>2</sup> )	Load J (kg.m <sup>2</sup> )		
AKK8004-8	2800	330.9	743	95.8	0.85	1.8	0.6	6.5	634	3485	20800	
AKK9001-8	3150	367.6		95.9					0.86	680	3740	22100
AKK9002-8	3550	413.8		96.0	726					3990	22900	
AKK9003-8	4000	465.8		96.1	772					4250	23700	
AKK10001-8	4500	517.4		96.2	0.87				1180	6490	25100	
AKK10002-8	5000	574.3		96.3					1290	7095	26200	
AKK10003-8	5600	642.6		96.4					1400	7700	27300	
AKK4501-10	185	25.9	590	91.7	0.75		0.8	5.5	19.0	698	4580	
AKK4502-10	200	27.9		91.9					20.0	775	4670	
AKK4503-10	220	30.6		92.1					22.0	865	4760	
AKK4504-10	250	34.8		92.3					24.0	902	4860	
AKK4505-10	280	38.8		92.5					26.0	1072	4960	
AKK5001-10	315	43.0		92.8					0.76	36.0	1196	5220
AKK5002-10	355	48.3		93.0						38.0	1332	5375
AKK5003-10	400	54.3		93.3		42.0				1471	5535	
AKK5004-10	450	61.0		93.4		0.78			45.0	1627	5760	
AKK5601-10	500	65.9		93.6					0.7	67.0	1710	7470
AKK5602-10	560	73.7		93.7						74.0	1902	7690
AKK5603-10	630	82.9		93.8						79.0	2116	7920
AKK5604-10	710	93.2		94.0		88.0				2355	8140	
AKK6301-10	800	102.1		94.2		0.80			132	2615	10600	
AKK6302-10	900	114.8	94.3	140	2800		11000					
AKK6303-10	1000	127.4	94.4	152	3170		11400					
AKK6304-10	1120	142.4	94.6	167	3489		11800					
AKK7101-10	1250	153.0	94.8	0.83	6.5	383	5060	13100				
AKK7102-10	1400	171.0	94.9			441	5660	13770				
AKK7103-10	1600	195.0	95.0			470	6480	13950				
AKK8001-10	1800	219.5	95.1		0.6	6.0	530	2915	18500			
AKK8002-10	2000	243.6	95.2				620	3410	19200			
AKK8003-10	2240	272.8	95.3				710	3905	19900			
AKK9001-10	2500	300.2	95.4				0.84	800	4800	21600		
AKK9002-10	2800	335.9	95.5	890				5340	22400			
AKK9003-10	3150	377.5	95.6	980				5880	23200			
AKK10001-10	3550	420.0	95.7	0.85			1360	8160	24900			
AKK10002-10	4000	472.7	95.8		1490	8940	25950					
AKK10003-10	4500	531.3	95.9		1620	9720	26900					

## TECHNICAL DATA

Datasheet (6000V)

Item	Rated power (kW)	Rated Current (A)	Rated speed (r/min)	EFF (%)	PF cosΦ	Max T Rated T	locked T R	locked current rated current	moment of inertia		weight (kg)
									motorJm (kg.m <sup>2</sup> )	Load J (kg.m <sup>2</sup> )	
AKK4504-12	185	27.7	495	91.8	0.70	1.8	0.8	5.5	24.0	1487	4770
AKK4505-12	200	29.9		92.0					26.0	1206	4950
AKK5001-12	220	31.9		92.2					40.0	1347	5090
AKK5002-12	250	36.1		92.5	42.0				1499	5340	
AKK5003-12	280	40.4		92.7	43.0				1672	5410	
AKK5004-12	315	45.4		92.8	47.0				1865	5660	
AKK5601-12	355	49.6		93.0	0.74		0.7	6.0	87.0	1967	7440
AKK5602-12	400	55.7		93.3					96.0	2190	7650
AKK5603-12	450	62.7		93.4					103	2411	7860
AKK5604-12	500	69.4		93.7	114				2673	8070	
AKK6301-12	560	75.6		93.8	0.76				179	2974	10600
AKK6302-12	630	84.9		93.9					191	3312	11000
AKK6303-12	710	95.6		94.0			208	3688	11400		
AKK6304-12	800	107.5		94.2	0.79		272	4098	11800		
AKK7101-12	900	116.0		94.4			0.6	383	5250	13050	
AKK7102-12	1000	128.0		94.4				441	5840	13710	
AKK7103-12	1120	144.0		94.5				470	6540	13900	
AKK8001-12	1250	161.2		94.5			6.0	535	3210	18650	
AKK8002-12	1400	180.3	94.6	625		3750		19400			
AKK8003-12	1600	206.0	94.6	715	4290	20150					
AKK8004-12	1800	231.8	94.6	0.8	805	4830	20900				
AKK9001-12	2000	254.0	94.7		6.0	895	5370	21800			
AKK9002-12	2240	284.2	94.8			985	5910	22600			
AKK9003-12	2500	316.9	94.9			1075	6450	23400			
AKK10001-12	2800	354.6	95.0			1375	8250	24850			
AKK10002-12	3150	398.5	95.1			1505	9030	25800			
AKK10003-12	3550	448.6	95.2	1635		9810	26750				
AKK5001-14	185	28.5	423	91.8	0.68	0.7	66	1132	6355		
AKK5002-14	200	30.8		92.0			73	1222	6400		
AKK5003-14	220	3308		92.1			80	1345	6700		
AKK5004-14	250	38.3		92.4			87	1532	6880		
AKK5601-14	280	42.8		92.6			117	3350	7400		
AKK5602-14	315	48.0		92.8			131	3820	7620		
AKK5603-14	355	54.0		93.0			145	4300	7840		
AKK5604-14	400	60.7		93.3			158	4850	8060		
AKK6301-14	450	68.2		93.4			193	3410	9000		

## TECHNICAL DATA

Datasheet (6000V)

Item	Rated power (kW)	Rated Current (A)	Rated speed (r/min)	EFF (%)	PF cosΦ	Max T Rated T	locked T R	locked current rated current	moment of inertia		weight (kg)			
									motorJm (kg.m <sup>2</sup> )	Load J (kg.m <sup>2</sup> )				
AKK6302-14	500	75.5	423	93.7	0.68	1.8	0.7	6.0	211	3780	9250			
AKK6303-14	560	84.5		93.8					228	4240	9500			
AKK7101-14	630	88.0		93.4	0.74		0.6		6.0	377	5020	12900		
AKK7102-14	710	99.0		93.5						430	5660	13220		
AKK7103-14	800	110.0		93.6	0.75					457	6370	13500		
AKK7104-14	900	123.0		93.7						510	7170	14080		
AKK8001-14	1000	136.8		93.8						540	3240	18450		
AKK8002-14	1120	153.1		93.9						630	3780	19200		
AKK8003-14	1250	170.7		94.0						720	4320	19900		
AKK8004-14	1400	190.9		94.1						610	3660	20720		
AKK9001-14	1600	215.1		94.2						0.76	700	4200	21750	
AKK9002-14	1800	241.7		94.3							790	4740	22550	
AKK9003-14	2000	268.3		94.4							880	5280	23350	
AKK10001-14	2240	300.2		94.5							1380	8280	24840	
AKK10002-14	2500	334.6		94.6							1510	9060	25740	
AKK10003-14	2800	374.4		94.7							1640	9840	26650	
AKK5001-16	185	29.4	369	91.8		0.66		0.7			5.5	73	1488	6110
AKK5002-16	200	31.7		92.0								80	1607	6280
AKK5003-16	220	34.8		92.1			87		1769	6430				
AKK5601-16	250	39.4		92.5			118		3940	7380				
AKK5602-16	280	44.1		92.6	131		4400		7600					
AKK5603-16	315	49.5		92.8	145		4950		7820					
AKK6301-16	355	55.7		93.0	175		4050		8800					
AKK6302-16	400	62.6		93.2	193		4560		9020					
AKK6303-16	450	70.2		93.5	213	5130	9280							
AKK7101-16	500	71.0		92.8	0.73	0.6	6.0		351	5190		12150		
AKK7102-16	560	80.0		92.9					404	5810		12660		
AKK7103-16	630	89.0		93.0					431	6540		12890		
AKK7104-16	710	100.0		93.2					457	7350		13150		
AKK8001-16	800	113.0		93.3					542	3795		18460		
AKK8002-16	900	127.2		93.3					633	4430		19210		
AKK8003-16	1000	141.3		93.3					722	5055		19960		
AKK8004-16	1120	158.1	93.4	612				4285	20710					



## TECHNICAL DATA

Datasheet (6000V)

AKK9001-16	1250	173.9	369	93.5	0.74	0.6	6.0	702	4915	21760
AKK9002-16	1400	194.5		93.6				793	5550	22560
AKK9003-16	1600	222.1		93.7				882	6175	23360
AKK10001-16	1800	249.6		93.8				1382	9674	24950
AKK10002-16	2000	277.0		93.9				1510	10570	25900
AKK10003-16	2240	309.9		94.0				1644	11500	26850
AKK5601-18	185	29.8	328	91.9	0.65	0.7	5.5	118	3680	7350
AKK5602-18	200	32.2		92.0				131	3900	7570
AKK5603-18	220	35.4		92.1				145	4300	7790
AKK5604-18	250	40.0		92.5				158	4950	8010
AKK6301-18	280	44.7		92.7				175	4530	8820
AKK6302-18	315	50.3		92.8				193	5100	9040
AKK6303-18	355	56.5	93.0	213	5730	9300				
AKK7101-18	400	61.3	328	92.3	0.68	1.8	6.0	370.0	4650	12400
AKK7102-18	450	68.9		92.4				383.0	5030	12700
AKK7103-18	500	76.5		92.5				404.0	6600	12000
AKK7104-18	560	85.6		92.6				430.0	7400	12300
AKK8001-18	630	94.5		93.0				544	3815	18480
AKK8002-18	710	106.5		93.0				635	4450	19260
AKK8003-18	800	120.0	93.0	725	5075	19990				
AKK8004-18	900	134.8	93.1	615	4298	20740				
AKK9001-18	1000	147.5	328	93.2	0.70	0.6	6.0	705	4985	21790
AKK9002-18	1120	165.0		93.3				795	5595	22590
AKK9003-18	1250	184.0		93.4				885	6210	23390
AKK10001-18	1400	205.9		93.5				1385	9698	24960
AKK10002-18	1600	235.0		93.6				1515	10590	25920
AKK10003-18	1800	264.1		93.7				1648	11580	26860

Datasheet (10000V)

Item	Rated power (kW)	Rated Current (A)	Rated speed (r/min)	EFF (%)	PF cosΦ	Max I Rated T	locked I R	locked current rated current	moment of inertia		weight (kg)
									motorJm (kg.m <sup>2</sup> )	Load J (kg.m <sup>2</sup> )	
AKK4501-2	220	16.2	2985	92.4	0.85	1.8	0.6	7.0	5.1	30.0	3650
AKK4502-2	250	18.3		92.6					3740		
AKK4503-2	280	20.5		92.8					3800		
AKK4504-2	315	23		93.0					3880		
AKK4505-2	355	25.5		93.3	0.86				7.2	34.3	3945
AKK4506-2	400	28.7		93.7					8.2	35.2	4090
AKK4507-2	450	32.1		94.0					8.7	37.2	4185
AKK5001-2	500	35.6		94.2					14.7	55.4	4290
AKK5002-2	560	39.8		94.4	15.7				59.1	4380	
AKK5003-2	630	44.2		94.6	0.87				17.7	63.2	4575
AKK5004-2	710	49.8		94.7					18.7	68.8	4700
AKK5005-2	800	56.0		94.8					19.7	75.5	4780
AKK5601-2	900	63.0		94.9					31.8	78.4	7750
AKK5602-2	1000	69.9		95.0	35.7				90.0	8000	
AKK5603-2	1120	78.1		95.2	39.8				97.0	8250	
AKK6301-2	1250	87.0		95.3	42.7				98.0	9300	
AKK6302-2	1400	97.4		95.4	46.0				99.0	9700	
AKK6303-2	1600	110.0		95.5	0.88				53.0	100.0	10100
AKK7101-2	1800	123.0		95.6	0.89				59.1	275	10500
AKK7102-2	2000	136.0		95.7					62	290	12200
AKK7103-2	2240	152.0	95.8	67.5		306	13500				
AKK7104-2	2500	170.0	95.9	78.3		330	14000				
AKK4501-4	220	16.6	1485	92.4	0.83	0.7	7.0	11.4	78.0	3700	
AKK4502-4	250	18.8		92.6				3760			
AKK4503-4	280	21		92.8				3860			
AKK4504-4	315	23.6		93.0				3890			
AKK4505-4	355	25.5		93.3	0.86			14.0	119.0	4200	
AKK4506-4	400	28.7		93.5				14.4	132.0	4300	
AKK4507-4	450	32.2		93.9				15.3	147.0	4490	
AKK5001-4	500	35.7		94.0				25.0	165.0	5640	
AKK5002-4	560	40.0		94.2	26.0			182.0	5660		
AKK5003-4	630	44.8		94.4	28.0			201.0	5850		
AKK5004-4	710	50.4		94.6	30.0			220.0	6030		
AKK5005-4	800	56.0		94.8	0.87			32.0	242.0	6060	
AKK5601-4	900	63.0		94.9				44.0	270.0	7800	
AKK5602-4	1000	70.0		95.0				47.0	292.0	8050	

## TECHNICAL DATA

### Datasheet (10000V)

Item	Rated power (kW)	Rated Current (A)	Rated speed (r/min)	EFF (%)	PF cosΦ	Max T Rated T	locked I Rated T	locked current rated current	moment of inertia		weight (kg)		
									motorJm (kg.m <sup>2</sup> )	Load J (kg.m <sup>2</sup> )			
AKK5603-4	1120	78.2	1485	95.1	0.87	1.8	0.6	7.0	50.0	320.0	8300		
AKK6301-4	1250	86.1		95.2					0.88	90.0	350.0	9900	
AKK6302-4	1400	96.4		95.3						95.0	382.0	10300	
AKK6303-4	1600	110.0		95.4						101.0	423.0	10400	
AKK7101-4	1800	123.0		990	95.5		0.89	0.5	6.5	247	876	14150	
AKK7102-4	2000	140.0								264	973	14540	
AKK7103-4	2240	157.0			95.6		0.86			281	1090	14950	
AKK7104-4	2500	175.0			95.7					316	1217	15610	
AKK8001-4	2800	196.3			95.8					344	1892	19050	
AKK8002-4	3150	220.6			95.9					370	2035	19740	
AKK8003-4	3550	248.3			96.0					396	2178	20440	
AKK8004-4	4000	276.3			96.1					0.87	422	2321	21160
AKK4501-6	220	17.3	92.0		0.80	0.7				6.0	15.5	210.0	4090
AKK4502-6	250	19.6	92.2								16.3	235.0	4210
AKK4503-6	280	21.9	92.5								17.4	260.0	4420
AKK4504-6	315	23.9	92.8		0.82						18.4	290	4560
AKK5001-6	355	26.6	93.1	0.83	27.0		326	5360					
AKK5002-6	400	29.8	93.3		29.0		362	5440					
AKK5003-6	450	33.5	93.5		31.0		400	5700					
AKK5004-6	500	37.1	93.9		33.0		440	5880					
AKK5005-6	560	40.9	94.1	0.84	35.0		485	6110					
AKK5601-6	630	45.9	94.4		50.0		540	7500					
AKK5602-6	710	51.6	94.6		60.0		599	7850					
AKK5603-6	800	58.1	94.7		63.0		665	8100					
AKK5604-6	900	64.4	94.9	0.85	67.0	736	8300						
AKK6301-6	1000	71.4	95.1		0.6	121.0	805	10750					
AKK6302-6	1120	79.9	95.2			128.0	886	11150					
AKK6303-6	1250	88.1	95.3	0.86		135.0	970	11500					
AKK7101-6	1400	101	95.1	0.84	0.5	6.5	261	1650	13560				
AKK7102-6	1600	116	95.2				280	1900	13950				
AKK7103-6	1800	130	95.3				316	2150	14470				
AKK7104-6	2000	144	95.4				353	2380	15070				
AKK8001-6	2240	161.3	95.5				462	2541	19200				
AKK8002-6	2500	179.8	95.6				504	2772	19900				
AKK8003-6	2800	201.1	95.7				546	3003	20600				
AKK9001-6	3150	226.0	95.8				0.6	588	3234	21500			
AKK9002-6	3550	254.5	95.9					630	3465	22300			

## TECHNICAL DATA

Datasheet (10000V)

Item	Rated power (kW)	Rated Current (A)	Rated speed (r/min)	EFF (%)	PF cosΦ	Max T Rated T	locked I R	locked current rated current	moment of inertia		weight (kg)		
									motorJm (kg.m <sup>2</sup> )	Load J (kg.m <sup>2</sup> )			
AKK9003-6	4000	283.1	990	96.0	0.85		0.6	6.5	672	3696	23100		
AKK9004-6	4500	318.1		96.1					714	3927	23900		
AKK10001-6	5000	353.1		96.2					965	5310	25160		
AKK10002-6	5600	395.0		96.3					1034	5170	26460		
AKK10003-6	6300	444.0		96.4					1110	5550	27860		
AKK5001-8	220	18.2	743	92.0	.76	1.8	0.7	6.0	28.0	423	5280		
AKK5002-8	250	20.6		92.2					30.0	476	5430		
AKK5003-8	280	23.0		92.5					32.0	530	5660		
AKK5004-8	315	25.5		92.8					0.77	34.0	588	5700	
AKK5005-8	355	28.6		93.1	36.0					656	5760		
AKK5006-8	400	31.8		93.2	0.78				38.0	730	5820		
AKK5601-8	450	35.7		93.4					63.0	810	7850		
AKK5602-8	500	39.0		93.8	0.79				67.0	890	8100		
AKK5603-8	560	43.6		93.9					70.0	988	8300		
AKK5604-8	630	47.0		94.4	0.82				74.0	1098	8500		
AKK6301-8	710	52.8		94.6					145.0	1221	10400		
AKK6302-8	800	59.5		94.7					151.0	1357	10800		
AKK6303-8	900	66.8		94.8					166.0	1505	11200		
AKK7101-8	1000	76.0		94.5	0.81				0.6	6.5	262	2600	13250
AKK7102-8	1120	85.0		94.6							281	2900	13560
AKK7103-8	1250	94.0		94.7							318	3240	14060
AKK7104-8	1400	106.0		94.8							355	3600	14660
AKK8001-8	1600	118.8		94.9	0.82				0.7	6.0	510	2810	18650
AKK8002-8	1800	133.4		95.0							552	3040	19350
AKK8003-8	2000	148.1		95.1					0.6	6.5	595	3275	20150
AKK8004-8	2240	165.7	95.2	638		3510	20850						
AKK9001-8	2500	182.5	95.3	726	3990	23100							
AKK9002-8	2800	201.8	95.4	772	4250	23800							
AKK10001-8	3150	226.8	95.5	0.84	0.6	6.5	1182	6510	25200				
AKK10002-8	3550	255.3	95.6				1295	7125	26300				
AKK10003-8	4000	287.3	95.7				1410	7755	27400				
AKK5001-10	220	19.2	91.9				0.72	0.6	5.5	38.0	698	5760	
AKK5002-10	250	21.8	92.1	39.3	775	5930							
AKK5003-10	280	23.7	92.4	0.74	6.0	40.0	865		6120				
AKK5601-10	315	26.5	92.6			78.0	1014		7350				
AKK5602-10	355	29.4	92.8	0.75	6.0	83.0	1131	7500					
AKK5603-10	400	33.1	93.0			87.0	1261	7850					
AKK5604-10	450	36.7	93.2	0.76	92.0	1403	8100						

## TECHNICAL DATA

Datasheet (10000V)

Item	Rated power (kW)	Rated Current (A)	Rated speed (r/min)	EFF (%)	PF cosΦ	Max I Rated T	locked I Rated T	locked current rated current	moment of inertia		weight (kg)
									motorJm (kg.m <sup>2</sup> )	Load J (kg.m <sup>2</sup> )	
AKK5605-10	500	40.1	590	93.4	0.77	1.8	0.7	6.0	97.0	1544	8300
AKK6301-10	560	44.3		93.5	0.78				153.0	1710	10600
AKK6302-10	630	49.8		93.7					162.0	1902	11000
AKK6303-10	710	56.0		93.9					169.0	2116	11400
AKK6304-10	800	61.2		94.3	0.80		178.0		2355	11800	
AKK7101-10	900	69.0		93.8	0.81		354		3650	12780	
AKK7102-10	1000	76.0		93.9			0.6		383	4050	13100
AKK7103-10	1120	85.0		94.0					441	4500	13770
AKK7104-10	1250	95.0		94.1					470	5050	13950
AKK8001-10	1400	104.7		94.2	0.82		532		2930	18555	
AKK8002-10	1600	119.5		94.3			0.7		624	3435	19250
AKK8003-10	1800	134.3		94.4					713	3925	19950
AKK9001-10	2000	149.0		94.5	0.6		892		5350	22480	
AKK9002-10	2240	166.8		94.6			984		5910	23350	
AKK10001-10	2500	183.7		94.7	0.83		1365		8190	24950	
AKK10002-10	2800	205.5		94.8			1496		8975	25990	
AKK10003-10	3150	230.9	94.9	1626		9755	26990				
AKK5601-12	220	19.2	495	91.8	0.72	1.8	0.7	6.0	88.0	1135	7350
AKK5602-12	250	21.8		92.0					97.0	1210	7500
AKK5603-12	280	24.4		92.1					100	1418	7850
AKK5604-12	315	27.4		92.3					108	1580	8100
AKK5605-12	355	30.4		92.5			115		1763	8300	
AKK6301-12	400	34.1		92.7			0.73		139	1967	10600
AKK6302-12	450	38.3		92.9					156	2190	11000
AKK6303-12	500	42.4		93.2					172	2411	11400
AKK6304-12	560	46.7		93.5			0.74		180	2672	11800
AKK7101-12	630	49.0		93.2			0.80		354	3680	12730
AKK7102-12	710	55.0		93.3					383	4150	13050
AKK7103-12	800	62.0		93.4					441	4650	13710
AKK7104-12	900	70.0		93.5					470	5250	13850
AKK8001-12	1000	77.1		93.6			0.6		626	3760	19450
AKK8002-12	1120	86.3		93.7					716	4296	20160
AKK8003-12	1250	96.2		93.8					807	4845	20950
AKK9001-12	1400	107.6	93.9	896	5378	21850					
AKK9002-12	1600	122.9	94.0	988	5930	22650					
AKK9003-12	1800	138.1	94.1	1078	6470	23450					
AKK10001-12	2000	153.2	94.2	1330	7985	23920					

## TECHNICAL DATA

Datasheet (10000V)

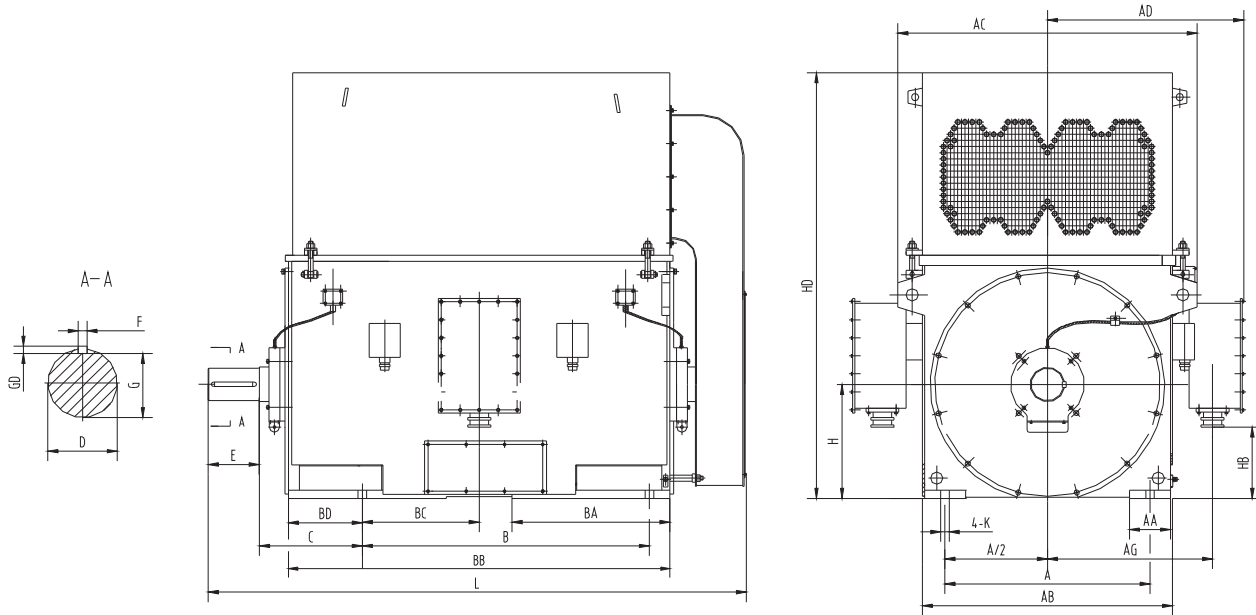
Item	Rated power (kW)	Rated Current (A)	Rated speed (r/min)	EFF (%)	PF cosΦ	Max T Rated T	locked $\frac{T}{R}$	locked current rated current	moment of inertia		weight (kg)		
									motorJm (kg.m <sup>2</sup> )	Load J (kg.m <sup>2</sup> )			
AKK10002-12	2240	171.4	495	94.3	0.80	1.8	0.6	6.0	1455	8732	24940		
AKK10003-12	2500	191.1		94.4					1575	9454	25960		
AKK10004-12	2800	213.8		94.5					1695	10170	26980		
AKK5601-14	220	19.4	423	91.1	0.72				135	1950	8890		
AKK5602-14	250	22.0		91.2					150	2120	8980		
AKK6301-14	280	24.4		91.9					175	2350	9060		
AKK6302-14	315	27.4		92.3	193				2650	9310			
AKK6303-14	355	30.4		92.5	213				3010	9550			
AKK6304-14	400	34.4		92.6	230				3400	9800			
AKK7101-14	450	37.0		92.8	377				3580	12780			
AKK7102-14	500	41.0		92.9	430				3985	13100			
AKK7103-14	560	46.0		93	457				4450	13770			
AKK7104-14	630	52.0		93.1	510				5020	13950			
AKK8001-14	710	58.7	93.2	545	3542				18480				
AKK8002-14	800	66.0	93.3	635	4130				19280				
AKK8003-14	900	74.2	93.4	728	4735				19960				
AKK8004-14	1000	80.2	93.5	615	3998				20780				
AKK9001-14	1120	89.8	93.6	710	4615				21790				
AKK9002-14	1250	100.0	93.7	798	5190				22590				
AKK9003-14	1400	111.9	93.8	888	5775				23390				
AKK10001-14	1600	126.2	93.9	1388	9025				24920				
AKK10002-14	1800	141.8	94.0	1516	9850				25810				
AKK10003-14	2000	157.3	94.1	1648	10710				26730				
AKK6301-16	220	20.4	369	91.5	0.68				0.7	5.5	175	2700	9100
AKK6302-16	250	23.2		91.6							193	3060	9320
AKK6303-16	280	25.5		91.7							213	3430	9560
AKK6304-16	315	28.6		92.2	230						3850	9780	
AKK7101-16	355	31.0		92.5	351						3680	12150	
AKK7102-16	400	36.0		92.6	404						4150	12660	
AKK7103-16	450	40.0		92.7	431				4670	12890			
AKK7104-16	500	44.4		92.8	457	5190	13150						
AKK8001-16	560	47.03		92.9	546	3820	18485						
AKK8002-16	630	52.9		93.0	635	4445	19290						
AKK8003-16	710	59.5		93.1	725	5075	19980						
AKK8004-16	800	67.0		93.2	614	4300	20790						

## TECHNICAL DATA

Datasheet (10000V)

Item	Rated power (kW)	Rated Current (A)	Rated speed (r/min)	EFF (%)	PF cosΦ	Max T Rated T	locked I R	locked current rated current	moment of inertia		weight (kg)
									motorJm (kg.m <sup>2</sup> )	Load J (kg.m <sup>2</sup> )	
AKK9001-16	900	74.3	369	93.3	0.75	1.8	0.6	6.0	705	4935	21810
AKK9002-16	1000	82.4		93.4					795	5565	22630
AKK9003-16	1120	92.2		93.5					885	6195	23440
AKK10001-16	1250	102.8		93.6					1385	9695	24960
AKK10002-16	1400	115.1		93.7					1514	10600	25960
AKK10003-16	1600	131.3		93.8					1646	11520	26950
AKK6301-18	220	21.1	328	91.0	0.66		0.7	5.5	76.0	1620	6060
AKK6302-18	250	24.0		91.2			79.0	1793	6255		
AKK7101-18	280	25.0		92.6			0.6	6.0	235	3470	10900
AKK7102-18	315	28.0		92.7					266	3910	11200
AKK7103-18	355	31.6		92.8					360	4690	11600
AKK7104-18	400	35.5		92.9					412	5220	12000
AKK8001-18	450	40.0	92.6	0.7	5.5	547			3830	18495	
AKK8002-18	500	44.5	92.7			636			4450	19300	
AKK8003-18	560	49.8	92.8			0.6	6.0	726	5080	19990	
AKK8004-18	630	55.9	92.9					615	4310	20800	
AKK9001-18	710	63.0	93.0					705	4945	21820	
AKK9002-18	800	70.9	93.1					796	5575	22640	
AKK9003-18	900	79.7	93.2	0.7	5.5			886	6200	23450	
AKK10001-18	1000	87.2	93.3					1386	9705	24970	
AKK10002-18	1120	97.6	93.4			0.6	6.0	1515	10650	25970	
AKK10003-18	1250	108.8	93.5					1648	11550	26960	

# INSTALLATION SIZE & OVERALL DIMENSION

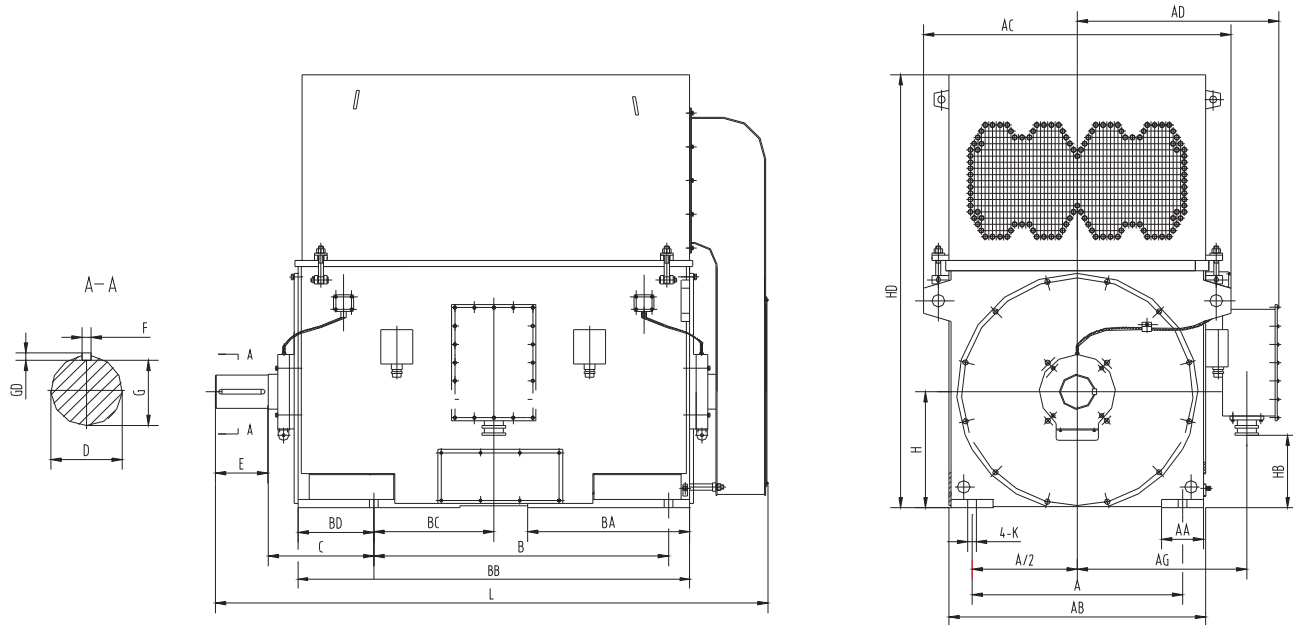


Frame	Poles	Installation dimension tolerance											Outline dimension													
		A	B	C <sup>a</sup>	D	E	F	G	H	K	AA	AB	AC	AD	AG	BA	BB	BC	BD	GD	HA	HB	HD	L		
355	2	630	900	315	80 <sup>+0.0</sup> <sub>-0.011</sub>	170 <sup>±0.5</sup>	22	71	355	Φ28	+0.52	0	800	1020	755	595	570	1360	470	210	14	26	90	1420	2030	
355	4				100	210 <sup>±0.57</sup>	28	90			0	0								16					2070	
400	2	710	1000	375	90	170 <sup>±0.5</sup>	25	81	400				900	1120	800	645	600	1500	473	277	14	35	130	1460	2220	
400	4~10			335	110 <sup>+0.035</sup> <sub>+0.013</sub>		28	100												501	249	16			2250	
450	2			400	100	210		90	450	Φ35			980	1180	840	685	620	1620	581	229	16				2460	
450	4	800	1120	355	120		32	109											548	262	18		200	1660	2210	
450	6~12				130 <sup>+0.04</sup> <sub>+0.015</sub>	250		119																	2260	
500	2			560	110 <sup>+0.035</sup> <sub>+0.013</sub>	210 <sup>±0.57</sup>	28	100	500	1.0	+0.62	0							495	370	16				2650	
500	4	900	1250	475	130		32	119					1120	1320	900	755	660	1730	510	355	18		320	1860	2550	
500	6~18				140	250		128												510	355	20	40			
560	2			560	130		32	119											585	345	18				2800	
560	4	1000	1400	500	150 <sup>+0.04</sup> <sub>+0.015</sub>		36	138	560				210	1220	1460	1045	900	720	1860	570	360	20		220	2120	
560	6~18				160			147																	2700	
630	4	1120	1600	530	170	300 <sup>±0.65</sup>	40	157																		
630	6~18				180		45	165	630	Φ48			200	1260	1500	1065	918	670	2000	740	260	22		392	2250	3170

Note:frame 355~630 (6000V) cooling code:IC611, above 2000kW motor with Vice junction box



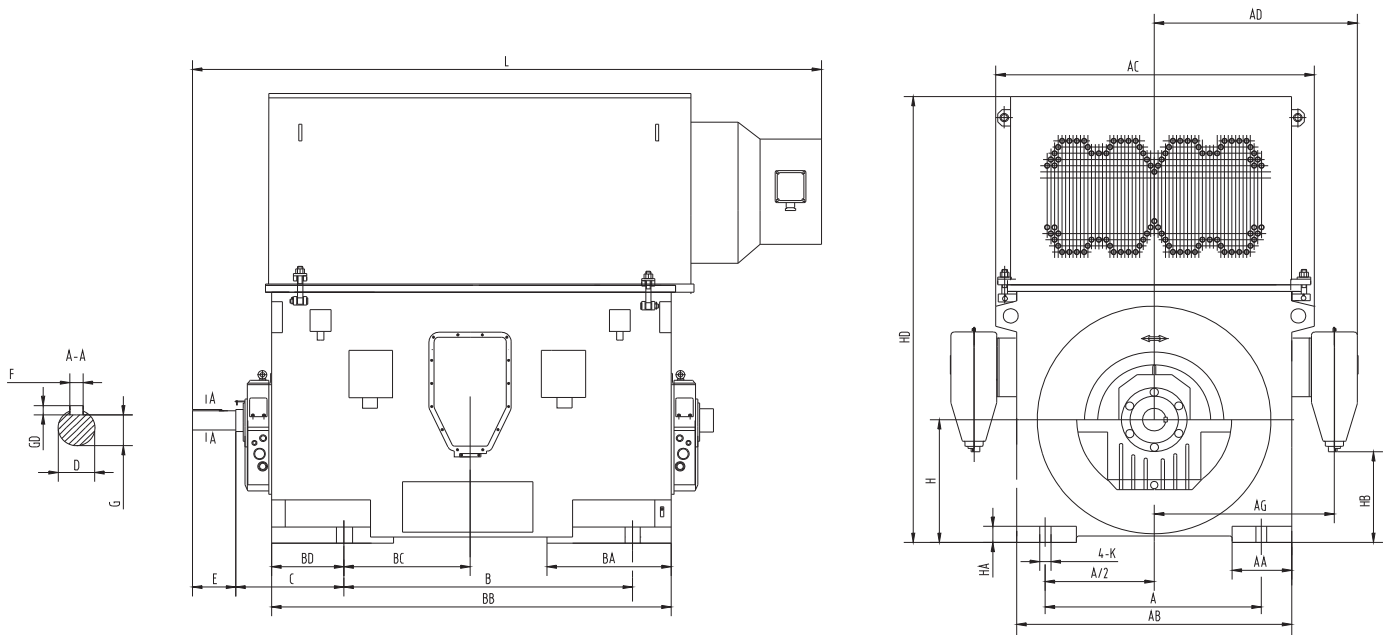
# INSTALLATION SIZE & OVERALL DIMENSION



Frame	Poles	Installation dimension tolerance														Outline dimension															
		A	B	C <sup>a</sup>	D		E		F		G		H		K		AA	AB	AC	AD	AG	BA	BB	BC	BD	GD	HA	HB	HD	L	
		basic size	basic size	basic size	tolerance	basic size	tolerance	basic size	tolerance	basic size	tolerance	basic size	tolerance	basic size	tolerance	basic size	tolerance	basic size	tolerance	basic size	tolerance	basic size	tolerance	basic size	tolerance	basic size	tolerance	basic size	tolerance	basic size	tolerance
450	2			400		90		170	±0.5	25		81				450		Φ35						509	301	14			140	1660	2300
450	4~6	800	1120	355		110	+0.035 +0.013					100	0		0									548	262	16					2350
500	2			560		100		210		28		90												495	370	16					2650
500	4	900	1250			120						109				500								510	355		18	40	240	1850	2500
500	6~10			475	±4.0																										2600
560	2			560		130	+0.04 +0.015	250		32		119												585	345						
560	4	1000	1400			150				36		138	0		0									570	360		20		220	2120	2800
560	6~14			500		160				40		147																			
630	6~18	1120	1600	530		180	+0.04 +0.013	300	±0.65	45		165				630		Φ48						710	290	25	40	392	2300	3030	

Note: AKK630 6~18 (6kV) with sliding bearing

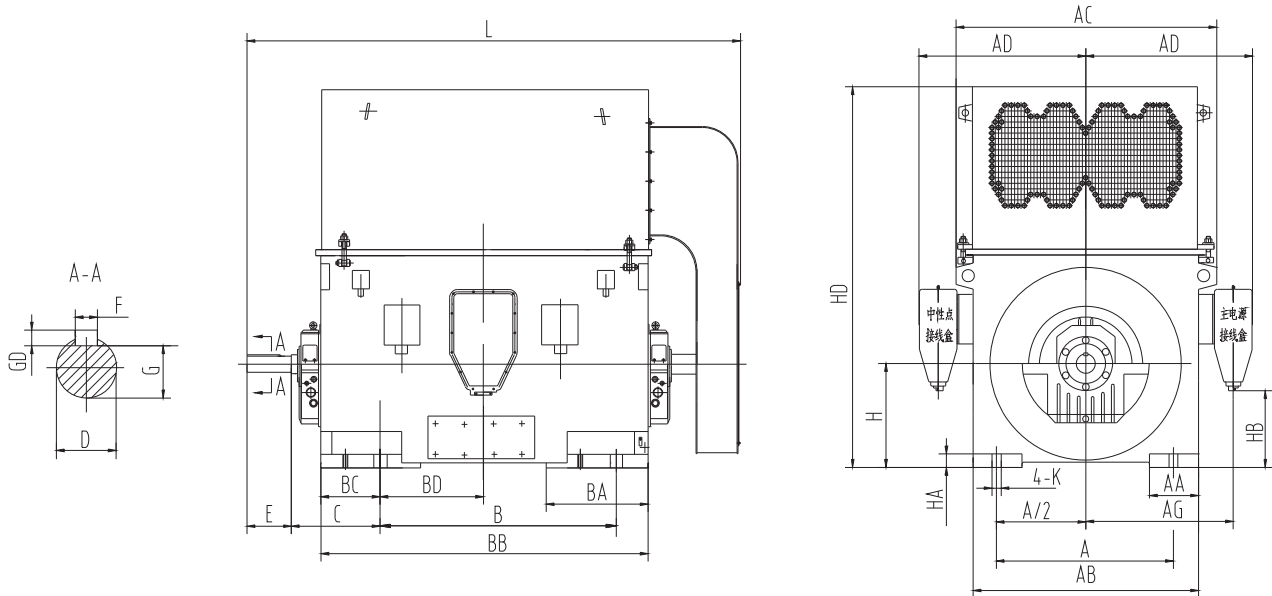
## INSTALLATION SIZE & OVERALL DIMENSION



Frame	Poles	Installation dimension tolerance														Outline dimension																	
		A		B		C <sup>a</sup>		D		E		F		G		H		K		AA	AB	AC	AD	AG	BA	BB	BC	BD	GD	HA	HB	HD	L
		basic size	tolerance	basic size	tolerance	basic size	tolerance	basic size	tolerance	basic size	tolerance	basic size	tolerance	basic size	tolerance	basic size	tolerance	basic size	tolerance														
630	2	1120		530	±4.0	140	+0.04 +0.015	250	±0.57	36	0 -0.062	128	0 -0.2	630	0 -1.0	Φ48	+0.62 0	200	1260	1500	1065	918	670	2000	710	290	22	40	392	2250	3250		
710	2	1400		475		160								710	0 -1.5	Φ56		300	1600	1840	1400	1170	700		800	200		50	400	2650	3500		

Note: Cooling code IC616 6kV & 10kV  
above 2000KW motor with vice junction box

# INSTALLATION SIZE & OVERALL DIMENSION



Frame	Poles	Installation dimension tolerance												Outline dimension											
		A	B	C <sup>a</sup>	D	E	F	G	H	K	AA	AB	AC	AD	AG	BA	BB	BC	BD	GD	HA	HB	HD	L	
		basic size	basic size	basic size	tolerance	basic size	tolerance	basic size	tolerance	basic size	tolerance	basic size	tolerance	basic size	tolerance	basic size	tolerance	basic size	tolerance	basic size	tolerance	basic size	tolerance	basic size	tolerance
710	4-18	1400	1800	530	Φ200	350	±0.70	45	185	710	Φ56	230	1600	1840	1320	1092	850	2270	890	245	25	50	463	2650	3550
800	4-18	1600	2000		Φ220		50	$\frac{2}{21.062}$					203	$\frac{0}{-0.3}$	800	270	1800	2080	1850	1500	700	2300	1000	150	28
900	4-18	1800	2240	600	Φ250	410	±0.77	56	230	900	Φ66	270	2000	2280	1950	1600	800	2600	1100	200	32	60	380	3010	3900
1000	4-18	2000	22500		Φ280		470	$\frac{0}{-0.074}$					63	$\frac{0}{-0.5}$	260	1000	340	2300	2580	2100	1750	900	3000	1250	250

Note:  
 6kV & 10kV frame 710~1000 dimension  
 above 2000KW motor with vice junction box  
 use sliding bearing

**M&C<sup>®</sup>**  
*ELECTRIC POWER*

**CHINA ELECTRIC MOTOR ASSOCIATION**  
**GUANGDONG M&C ELECTRIC POWER CO.,LTD**

Add:3/f Dizhi Building No.739 Dongfeng Rd.E Guangzhou China

Tel.: 0086-20-89660216

Fax.: 0086-20-89660219

P.C.: 510080

E-mail: [mc@china-electricmotor.com](mailto:mc@china-electricmotor.com)

Website: <http://www.china-electricmotor.com>